

## Outdoor 4G Access Point

### Product Information

The rugged Highway 9 Outdoor 4G Small Cell Access Point provides resilient private cellular coverage for enterprise networks, reaching devices up to 12 kilometers. It supports external antennas, can be pole or wall mounted, and leverages Highway 9's cloud service for seamless, zero-touch deployment.



- Zero touch provisioning on Mobile Cloud.
- Rugged outdoor form factor.
- Enhanced coverage and eliminate blind spots with up to 12km range.
- Simple and fast deployment with integrated small cell technology.
- High data rates to support modern edge applications.
- Data in-flight encryption.

### Key Benefits



Cloud-based operations requires less resources on-premise and rapid just-in-time deployments.



Maximize available bandwidth with private spectrum or CBRS with Spectrum Allocation Service (SAS) support.



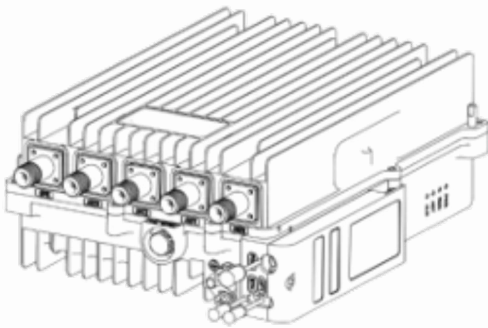
Configurations are optimized for IoT use cases, tuneable for coverage versus capacity with flexible throughput controls.



Enhance enterprise security with SIM, device, and user onboarding while extending enterprise LAN segments into your private cellular network.

# Outdoor 4G Access Point

## Rear View



## Key Features

- Supports CBRS Band 48
- Up to 40 MHz Channel bandwidth with Carrier Aggregation
- 4 External Antenna Ports (1 x 4 Port or 2 x 2-port antenna)
- 4 x 1W (30dBm/port)
- Maximum Range 12km
- GPS & PTP Synchronization
- Supports up to 192 Users & Devices
- LTE TDD Configuration
- 3GPP Release 15 Compatible

## Technical Specifications

### Synchronization:

GPS 1588 v2

### Interfaces:

1 Optical (SFP), 1 RJ-45 Ethernet (1 GE)

### MIMO:

DL: 2x2 per carrier

### Antenna:

2T2R N-Type Connectors for external high gain antenna

### Dimensions:

13.1 x 9.4 x 4.1 in. 300 x 240 x 105 mm

### Weight:

16.5 lbs / 7.5 kgs

### Power:

DC -40 to -57v, nominal 48v

### Protection Rating:

IP 65

### Operating Temperature:

-40°F to 131°F (-40°C to 55°C)

### Humidity:

5% to 95% RH

### MTBF:

≥ 150000 hours

### Certifications:

OnGo® Alliance Certified, FCC and CE certified.