



Outdoor 4G Access Point

The rugged Highway 9 Outdoor 4G Small Cell Access Point provides resilient private cellular coverage for enterprise networks, reaching devices up to 12 kilometers. It supports external antennas, can be pole or wall mounted, and leverages Highway 9's cloud service for seamless, zero-touch deployment.



- ✓ Zero touch provisioning on Mobile Cloud.
- ✓ Rugged outdoor form factor.
- ✓ Enhanced coverage and eliminate blind spots with up to 12km range.
- ✓ Simple and fast deployment with integrated small cell technology.
- ✓ High data rates to support modern edge applications.
- ✓ Data in-flight encryption.



Cloud-based operations requires less resources on-premise and rapid just-in-time deployments.



Maximize available bandwidth with private spectrum or CBRS with Spectrum Allocation Service (SAS) support.



Configurations optimized for IoT use cases – tuneable for coverage vs capacity with flexible throughput controls.

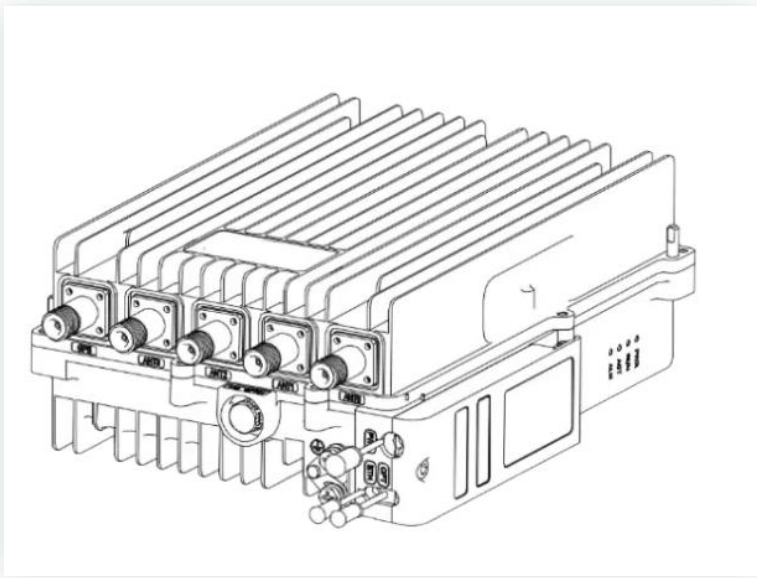


Enhance enterprise security with SIM, device, and user onboarding. Extend enterprise LAN segments into your private cellular network.



Outdoor 4G Access Point

Key Features



- Supports CBRS Band 48
- Up to 40 MHz Channel bandwidth with Carrier Aggregation
- 4 External Antenna Ports (1 x 4 Port or 2 x 2-port antenna)
- 4 x 1W (30dBm/port)
- Maximum Range 12km
- GPS & PTP Synchronization
- Supports up to 192 Users & Devices
- LTE TDD Configuration
- 3GPP Release 15 Compatible

Technical Specifications

Synchronization:

GPS 1588 v2

Interfaces:

1 Optical (SFP), 1 RJ-45 Ethernet (1 GE)

MIMO:

DL: 2x2 per carrier

Antenna:

2T2R N-Type Connectors for external high gain antenna

Dimensions:

13.1 x 9.4 x 4.1 in. 300 x 240 x 105 mm

Weight:

16.5 lbs / 7.5 kgs

Power:

DC -40 to -57v, nominal 48v

Protection Rating:

IP 65

Operating Temperature:

-40°F to 131°F (-40°C to 55°C)

Humidity:

5% to 95% RH

MTBF:

≥ 150000 hours

Certifications:

OnGo® Alliance Certified, FCC and CE certified.