

HIGHWAY 9 NETWORKS OUTDOOR 4G ACCESS POINT



The rugged Highway 9 Outdoor 4G Radio Unit provides resilient private cellular coverage for enterprise networks, reaching devices up to 12 kilometers. It supports external antennas, can be pole or wall mounted, and leverages Highway 9's cloud service for seamless, zero-touch deployment.



- Zero touch provisioning on Mobile Cloud
- Rugged Outdoor form factor
- Enhance coverage performance and eliminate blind spots with up to 12km range.
- Simple and fast deployment with integrated small cell form factor
- High data rates to support modern applications
- Data in-flight encryption



Cloud-based Operations requires less resources on-premise and rapid just-in-time deployments.



Maximize available bandwidth with Private Spectrum or CBRS / Spectrum Allocation Service (SAS) support.



Configurations optimized for IOT or IT use cases – tuneable for coverage vs. capacity, flexible throughput controls.



Enhance enterprise security by SIM device and user onboarding
Extend enterprise LAN segments to simplify wireless reach across your campus network

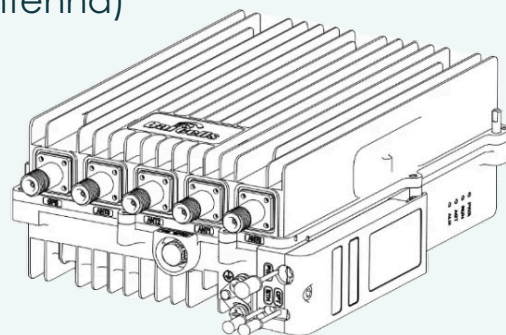
For more information visit: www.highway9.com
or email: info@highway9.com

HIGHWAY 9 NETWORKS OUTDOOR 4G ACCESS POINT



Key Features

- Supports CBRS Band 48
- Up to 40 MHz Channel bandwidth with Carrier Aggregation
- 4 External Antenna Ports (1 x 4 Port or 2 x 2-port antenna)
- 4 x 1W (30dBm/port)
- Maximum Range 12km
- GPS & PTP Synchronization
- Supports up to 192 Users & Devices
- LTE TDD Configuration
- 3GPP Release 15 Compatible



Technical Specifications

| | |
|-------------------|---|
| Synchronization | GPS 1588 v2 |
| Interfaces | 1 Optical (SFP), 1 RJ-45 Ethernet (1 GE) |
| MIMO | DL: 2x2 per carrier |
| Antenna | 2T2R N-Type Connectors for external high gain antenna |
| Dimensions | 13.1 x 9.4 x 4.1 in. 300 x 240 x 105 mm |
| Weight | 16.5 lbs / 7.5 kgs |
| Power | DC -40 to -57v, nominal 48v |
| Protection Rating | IP65 |
| Operating Temp | -40°F to 131°F (-40°C to 55°C) |
| Humidity | 5% to 95% RH |
| MTBF | ≥ 150000 hours |
| Certifications | OnGo® Alliance Certified, FCC and CE certified. |

For more information visit: www.highway9.com
or email: info@highway9.com